

Where to find the Serial Number of the Lift System

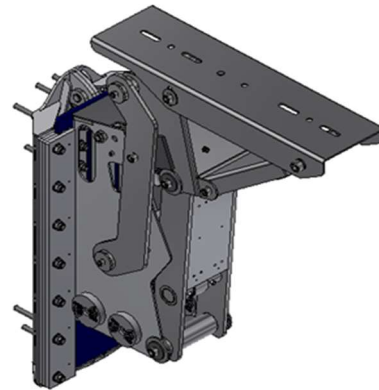
One way to find out the serial number of your lift system is to look for the stamp attached to the metal parts of your lift system.

<p>The Stamp looks like this:</p>		
<p>Standard Lift Type-2, -4, -5, -7</p> <ul style="list-style-type: none"> - Stamp on the cover of the cylinder housing 		

Where to find the Serial Number of the Lift System

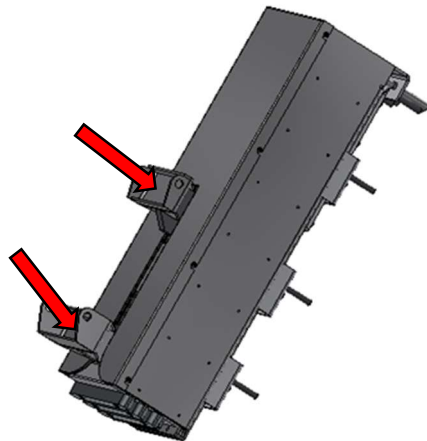
Lift System with vertical console

- Additional stamp on the housing of the vertical console





Lift System Type Linear

- Stamp either on the attachment of the platform carrier or the attachment of the diagonal bracing



Where to find the Serial Number of the Lift System

Additionally you can find stickers with serial number on several other parts of your lift system.

<p>The sticker looks like this:</p>	 <p>Till 31.12.2019 6 digits (XXXXXX)</p>	 <p>01. 01.2020 and later 8 digits (XX-XXXXXX)</p>
<p>Hydraulic Pump</p> <ul style="list-style-type: none"> - You will always find the sticker on the tank of the hydraulic pump, usually below the hand lever or below the motor 	 <p>Till 31.12.2019 6 digits (XXXXXX)</p>	 <p>01. 01.2020 and later 8 digits (XX-XXXXXX)</p>
<p>E-Box</p> <ul style="list-style-type: none"> - You will find the sticker on the frontside of your E-Box, usually inside the marked area 	 <p>Till 31.12.2019 6 digits (XXXXXX)</p>	 <p>01. 01.2020 and later 8 digits (XX-XXXXXX)</p>
<p>Remote Control</p> <ul style="list-style-type: none"> - You will find the sticker on the backside of your remote control 	 <p>Till 31.12.2019 6 digits (XXXXXX)</p>	 <p>01. 01.2020 and later 8 digits (XX-XXXXXX)</p>